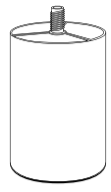
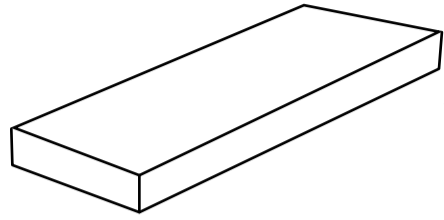


SAMLEVEJLEDNING KONTINENTAL FULL COVER

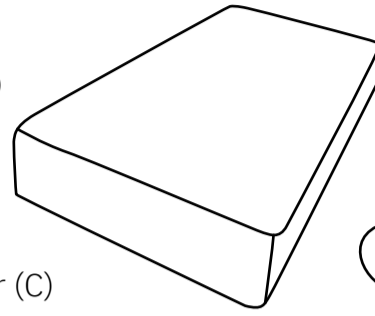
ASSEMBLY INSTRUCTIONS CONTINENTAL FULL COVER



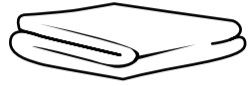
x 8 ben (BE)
not incl.



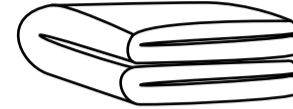
x 2 Kerne (K)



x 2 Neutral Box (B)

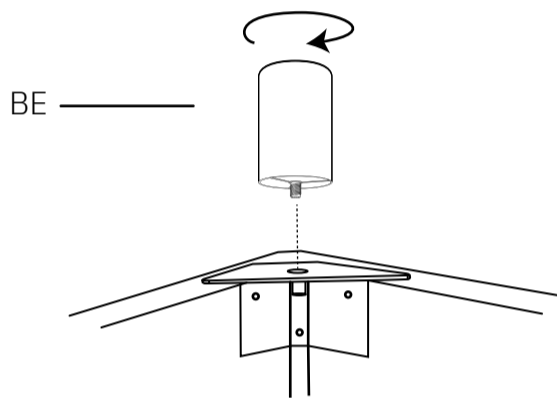


x 1 Cover (C)

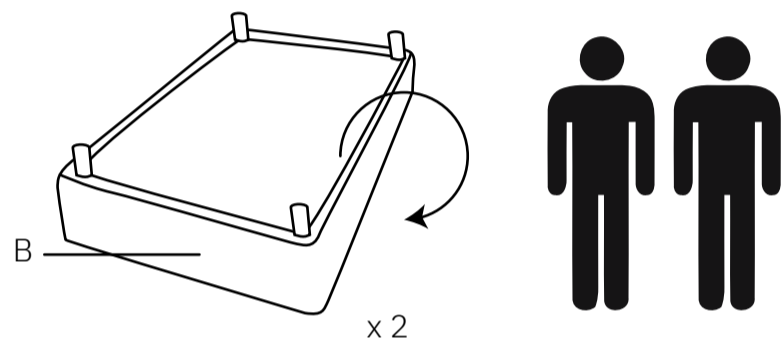


x 1 Top (T)
not incl.

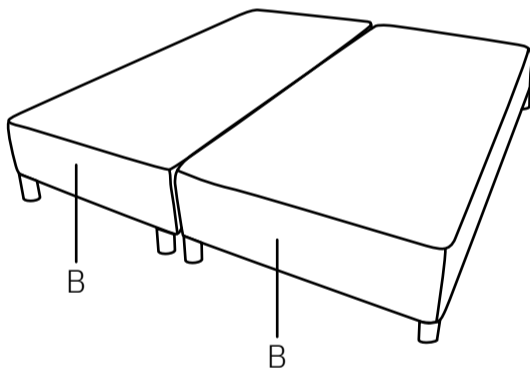
1



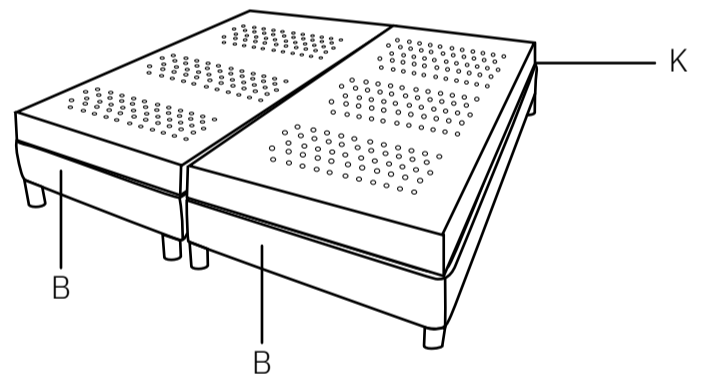
2



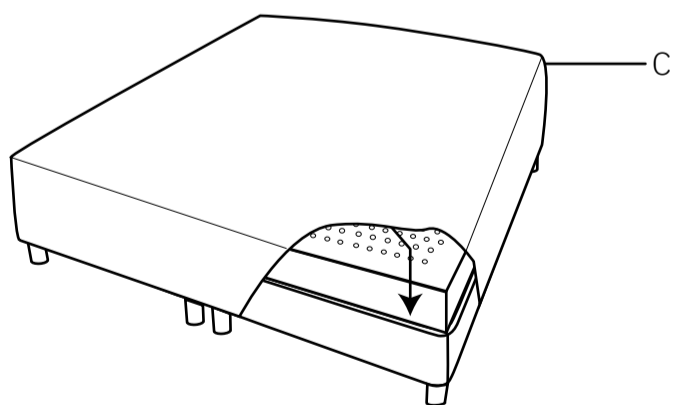
3



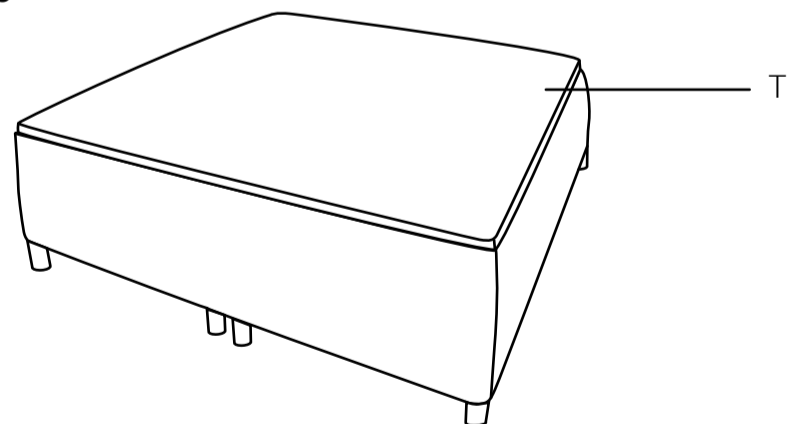
4



5



6



Assembly for support leg
not incl.

