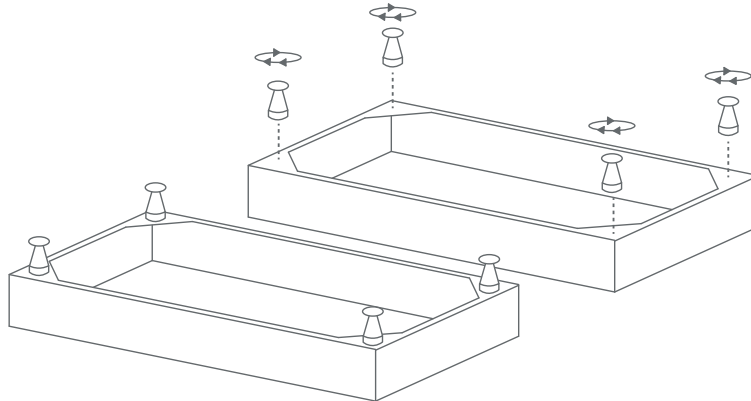


# Instruction manual for Stay beds

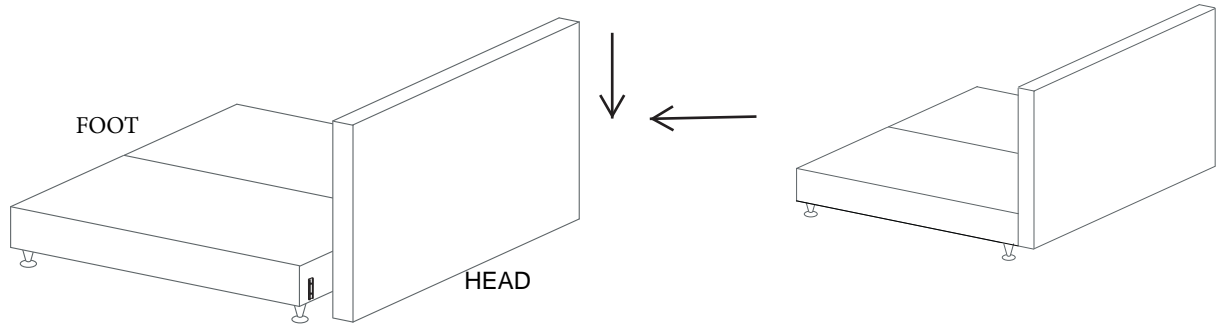
1

ATTACHING  
LEGS



2

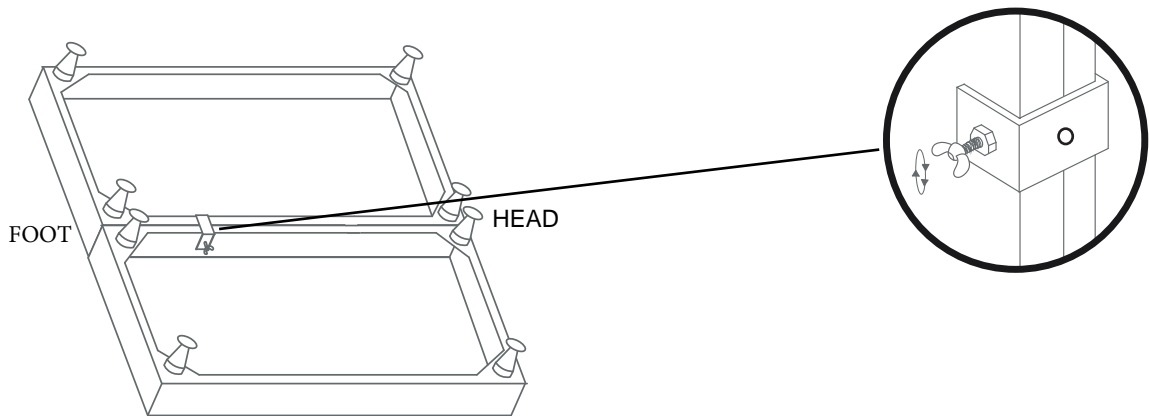
ATTACHING  
HEADBOARD



FOR DETAIL INSTRUCTIONS FOR ATTACHING HEADBOARD PLEASE SEE INSTRUCTION ON THE HEADBOARD

3

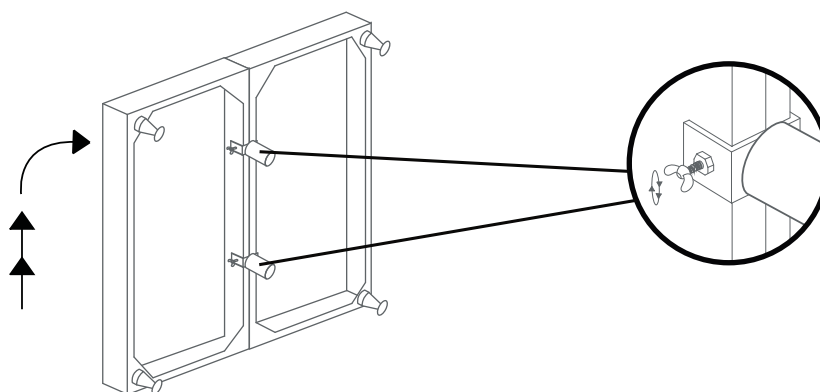
ATTACHING  
U-BRACKET



WITHOUT HEADBOARD ATTACH U-BRACKET INTO THE HEAD END ALSO

4

ATTACHING  
SUPPORT LEG



FOR DETAIL INSTRUCTIONS FOR ATTACHING SUPPORT LEG PLEASE SEE INSIDE SUPPORT LEG SET