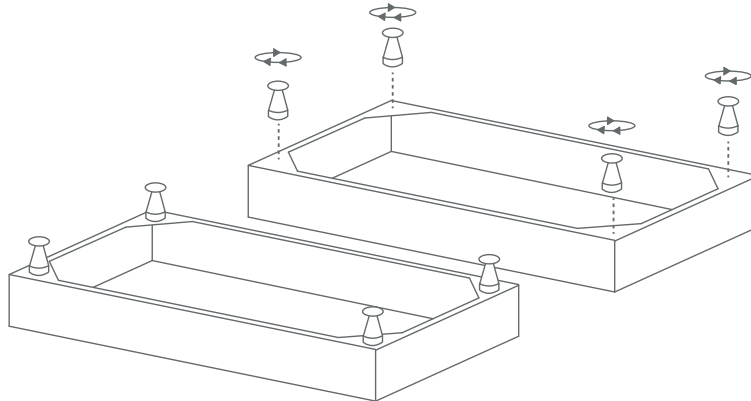


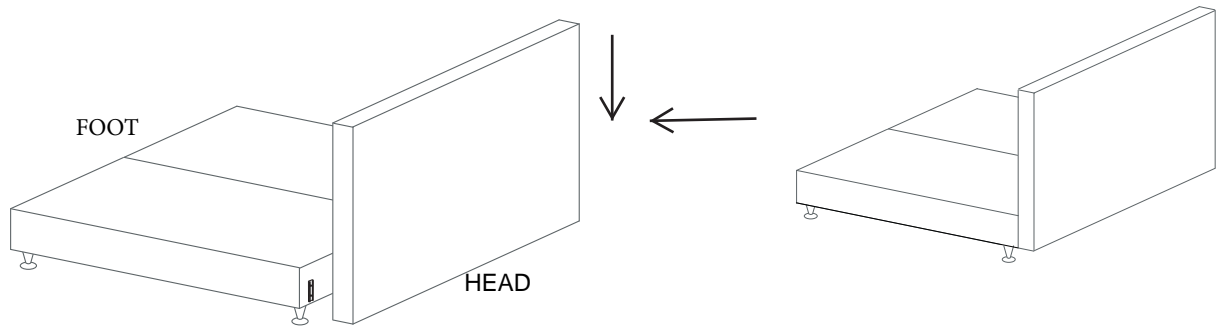
Instruction manual for Move beds

1

ATTACHING
LEGS



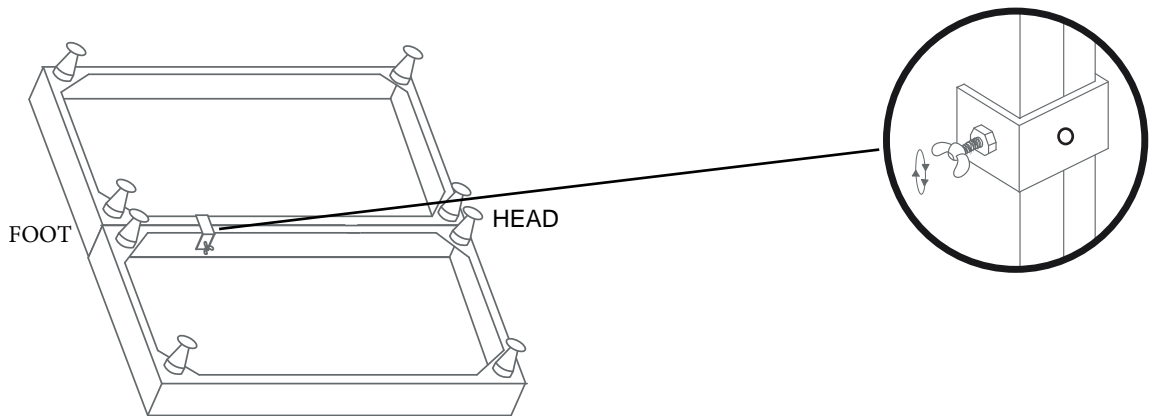
ATTACHING
HEADBOARD



FOR DETAIL INSTRUCTIONS FOR ATTACHING HEADBOARD PLEASE SEE INSTRUCTION ON THE HEADBOARD

3

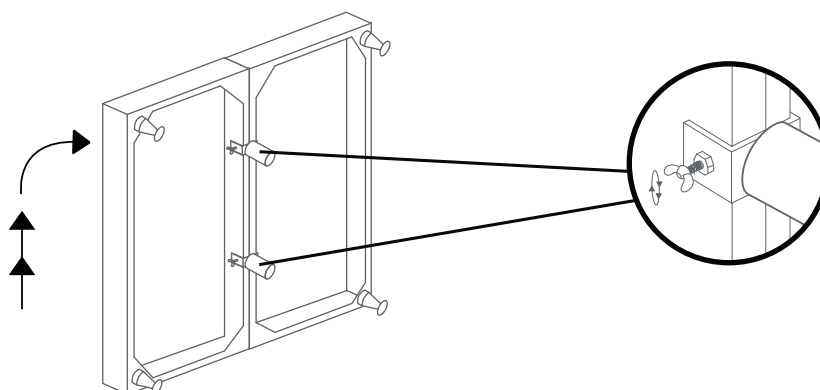
ATTACHING
U-BRACKET



WITHOUT HEADBOARD ATTACH U-BRACKET INTO THE HEAD END ALSO

4

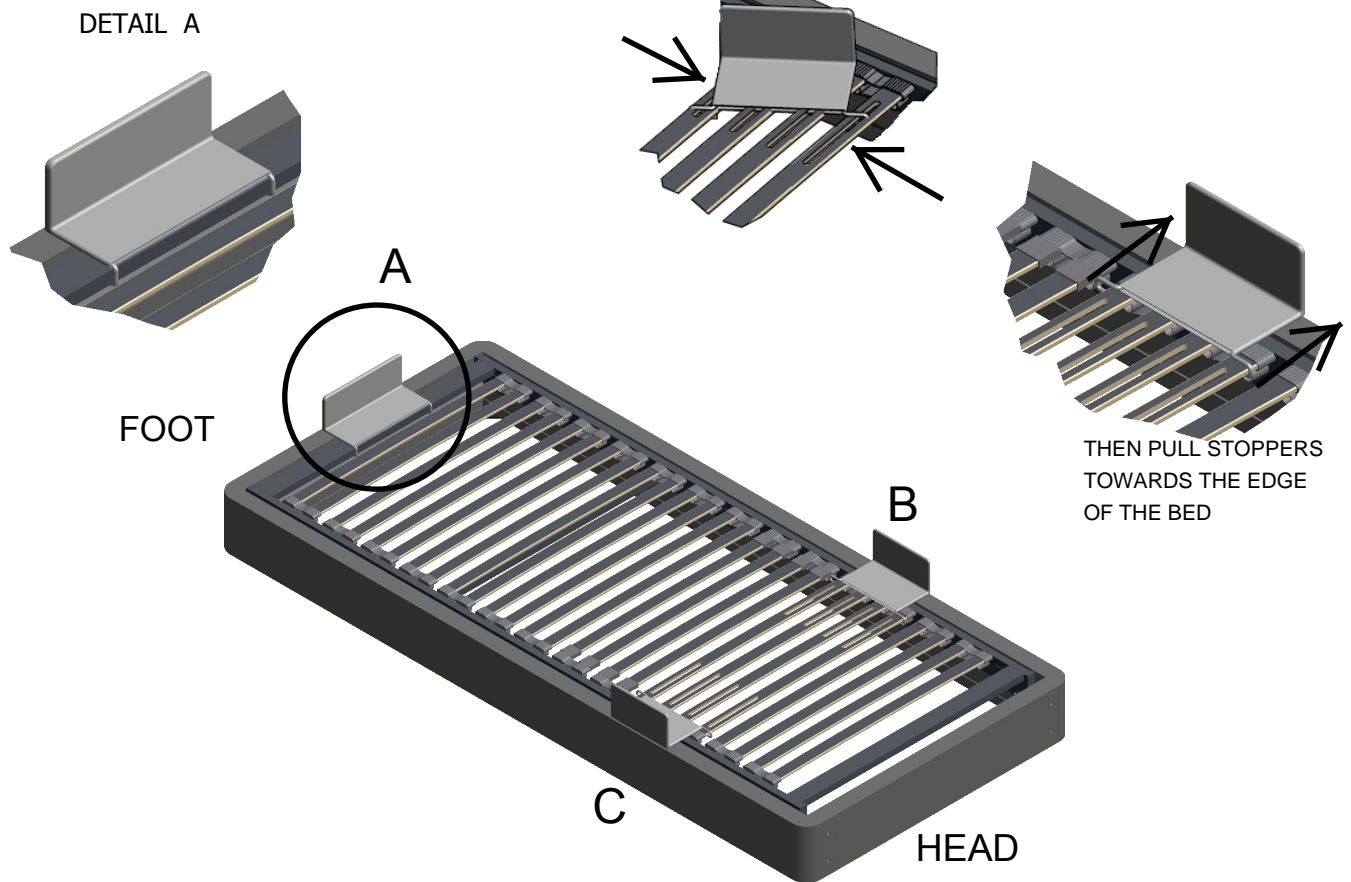
ATTACHING
SUPPORT LEG



5

ATTACHING
MATTRESS
STOPPERS

FOR INSTALLATION OF
HEADSIDE STOPPERS
TILT STOPPER AND PUSH
SLATS TOGETHER



IN CASE OF DOUBLE BED, SECOND STOPPER IS OPTIONAL

