



# TWINDRIVE<sup>®</sup> TD4 Standard Data sheet

# TD4 Standard

---

The TWINDRIVE® TD4 is a dual actuator especially developed for all types of slatted and box spring beds. The TD4 comes in two versions as to strength: TD4 and TD4+. The TD4+ is for the box spring beds where a higher need for force is required. With the TD4 series you get a state-of-the-art product incorporating what has only been available as options before as part of the standard product. The TD4 is very slim and compact in design ensuring minimum need of space underneath the bed and optimum logistics during transport. The low weight of the TD4 ensures easy handling when mounting and pictograms on the side make the mounting very intuitive. The TD4 features integrated Under Bed Light and very unique a mechanical emergency lowering system in case of power failure.

The TD4 has integrated Bluetooth® meaning that all hand controls compatible are wireless. Alternatively, an app can be downloaded to use a smartphone as handset.



---

## Features:

- Mains voltage: 230V
- Max. lifting capacity, backrest up to 6000N
- Max. lifting capacity, leg rest up to 4500N
- Bluetooth® built into the TD4
- Angle leg rest:  $45^\circ \pm 3^\circ$ ,
- Angle backrest:  $68^\circ \pm 3^\circ$ ,  $62^\circ \pm 3^\circ$ ,  $55^\circ \pm 3^\circ$
- Installation dimension: 723 mm x 105 mm height x 76 mm width
- Installation dimension on the shaft  $581 \pm 1$  mm distance.  
Shaft:  $\varnothing 25.2 \pm 0.2$  mm
- Colour: Black, RAL 9005
- 2 internal channels
- Control box integrated in the housing of the actuator
- The power consumption in standby mode is only 0.1W, this is what we call ZERO™
- Under Bed Light
- Mechanical emergency lowering
- Cable strain relief
- Pleasant noise level (Sound power level:  $L_w \leq 48$  dB(A))
- PVC-Free™
- Soft start/stop
- Protected against overload (EOP)
- Will shut down if abused

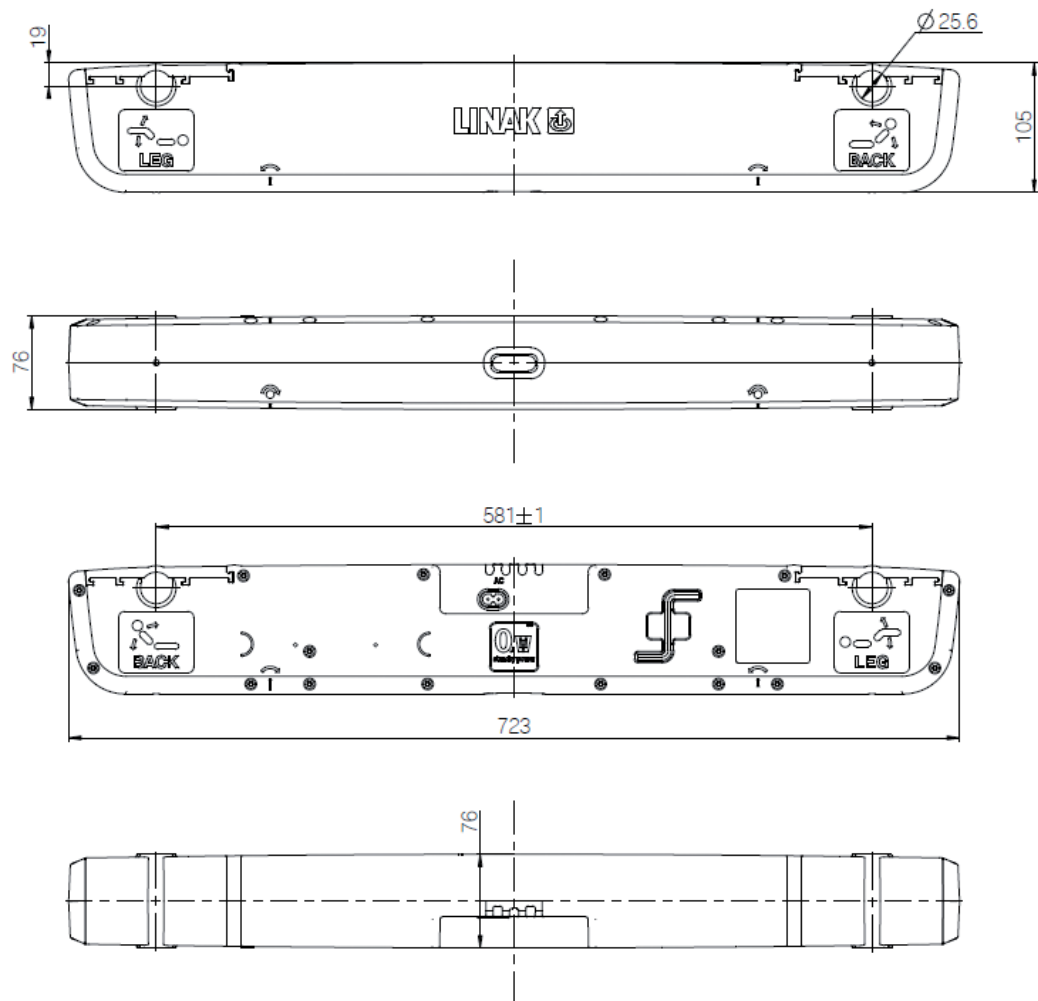
## Usages:

- Compatible with HOMELINE® controls: HC05BL, HC10BL and HB10BL
- Compatible with LINAK Bed Control App (Android and iOS) via Bluetooth®
- Duty cycle: 10% max 1 min. at continuous use followed by 9 min. not in use
- Ambient temperature:  $+5^\circ\text{C}$  to  $+40^\circ\text{C}$
- Storage and transport temperature:  $-10^\circ\text{C}$  to  $+50^\circ\text{C}$
- Approved in accordance with EN60335-1

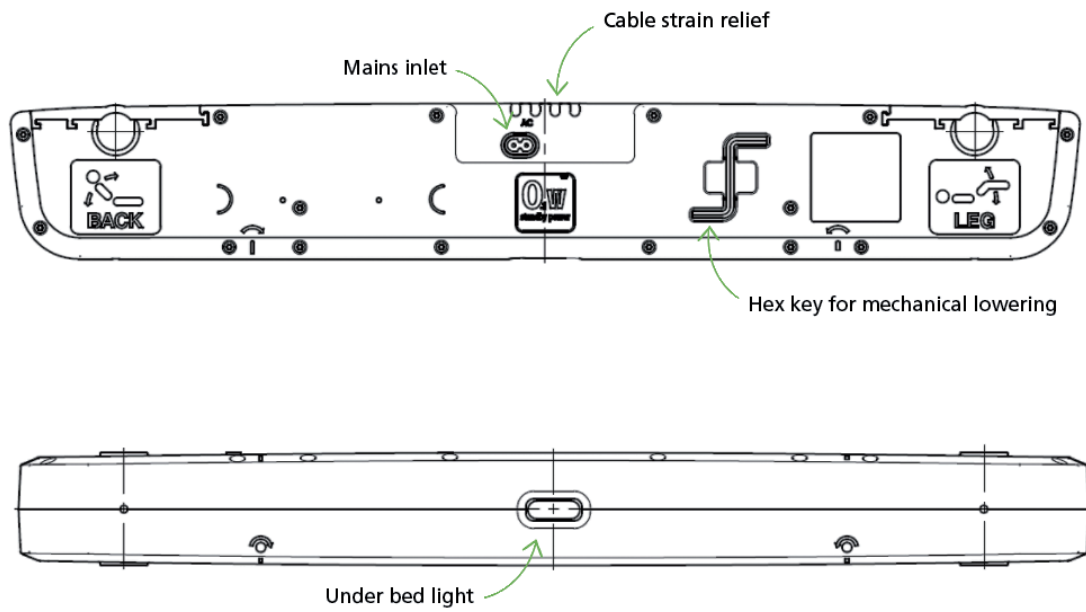
Technical specifications:

	Max. lifting capacity			Speed at 0 load [°/sec]	Duty cycle [%]
	Backrest [N]	Leg rest [N]	Both ends [N]		
TD4 Standard	4500	4000	7500	3.3	10
TD4+ Standard	6000	4500	7500	3.3	10

Dimensions:



Features:

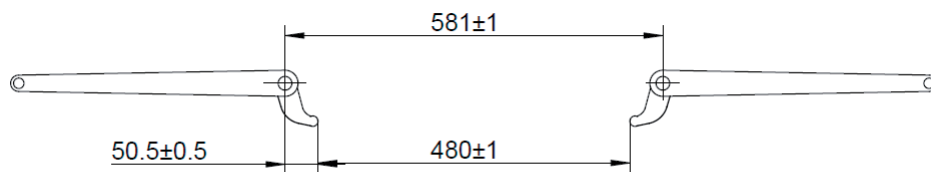


It is important to use the cable relief for the mains cable on the TD4. By using the cable relief you avoid that the mains cable plug is pulled out of the TD4 resulting in a malfunction.



Please do not look directly in the light under the bed

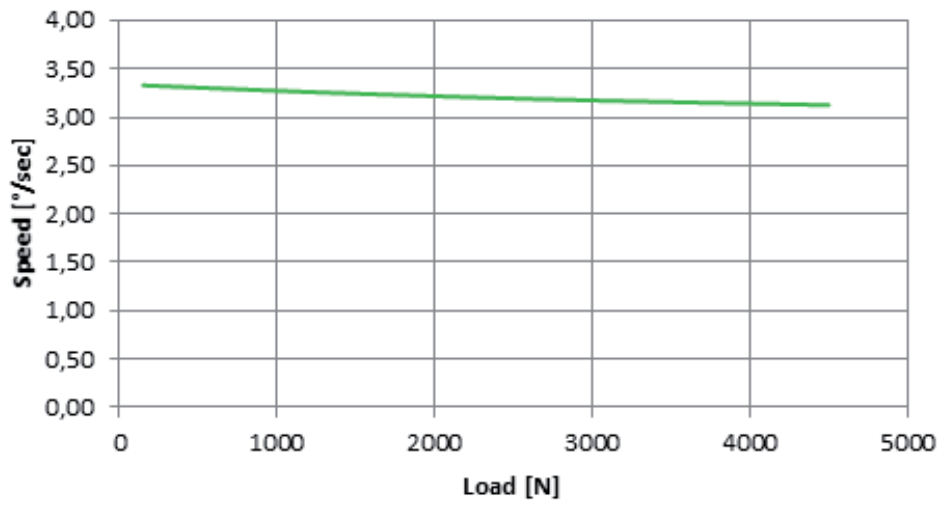
Dimensions shaft distance:



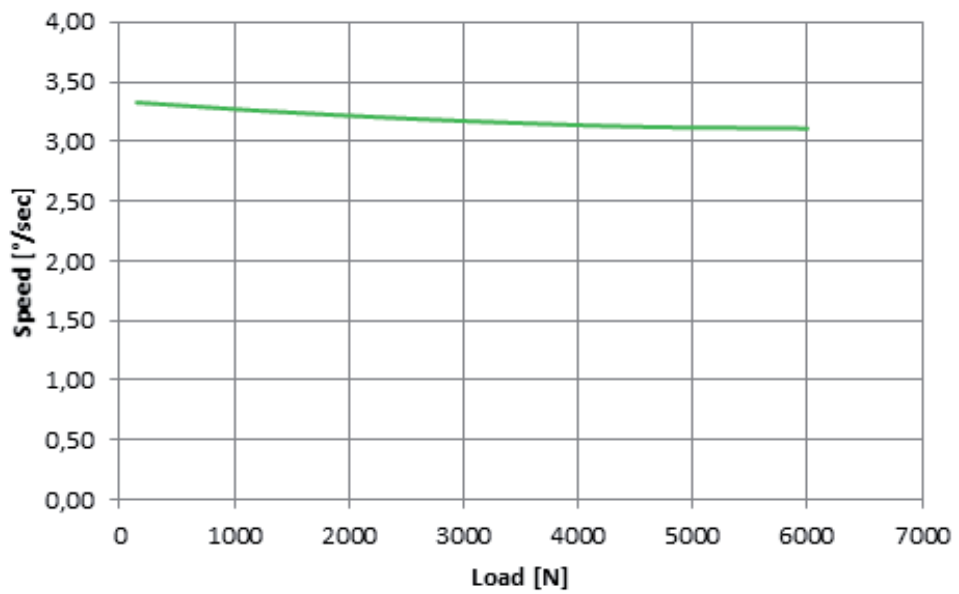
The diameter of the shaft must be  $\varnothing 25.2 \pm_{0.2}^{0.3}$  mm

Speed curves :

**Speed curve for TD4 Standard**

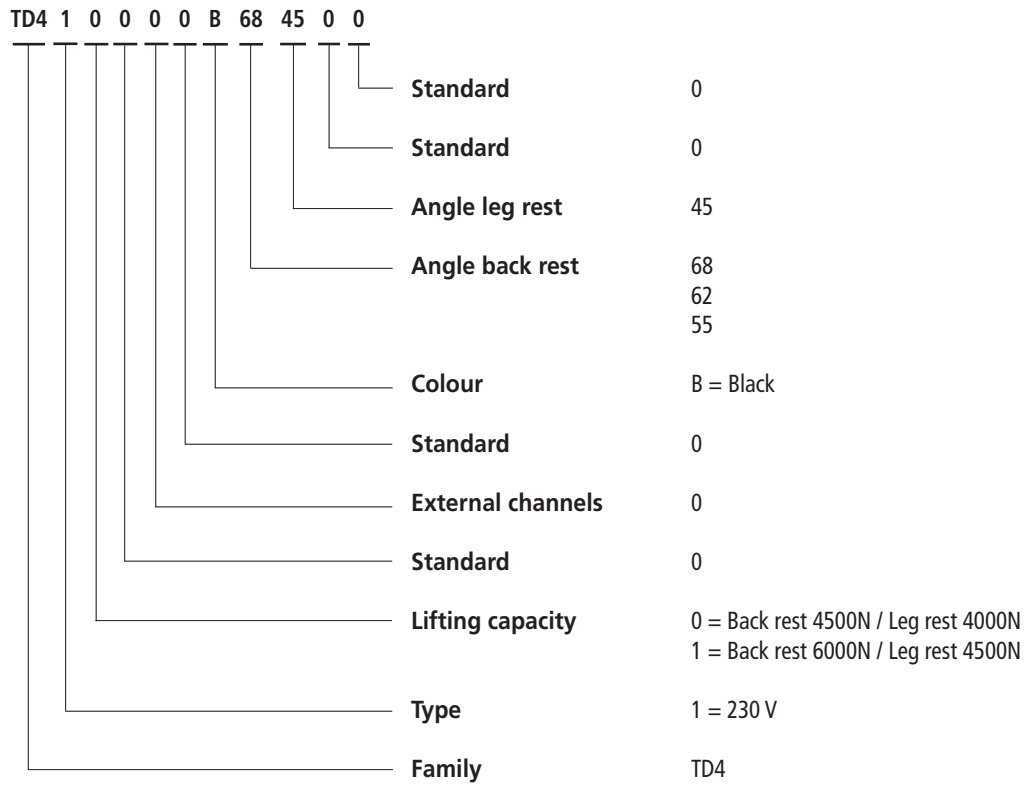


**Speed curve for TD4+ Standard**



## TWINDRIVE® TD4 Standard

Ordering example:



Mains cable and controls must be ordered separately

Ordering numbers for TD4 mains cable

EU 0015848, PVC

EU 0015849, PVC-free™

HOMELINE CB9 cables can also be used.

Ordering numbers:

UK 0015804, straight CB end



---

**Terms of use**

The user is responsible for determining the suitability of LINAK products for specific application. LINAK takes great care in providing accurate and up-to-date information on its products.

However, due to continuous development in order to improve its products, LINAK products are subject to frequent modifications and changes without prior notice. Therefore, LINAK cannot guarantee the correct and actual status of said information on its products.

While LINAK uses its best efforts to fulfill orders, LINAK cannot, for the same reasons as mentioned above, guarantee the availability of any particular product. Therefore, LINAK reserves the right to discontinue the sale of any product displayed on its website or listed in its catalogues or other written material drawn up by LINAK.

All sales are subject to the Standard Terms of Sale and Delivery for LINAK. For a copy hereof, please contact LINAK.